

NORMADIX – for non-armoured round cables

Technical specifications

IP66



Suitable for the following cable types



Non-armoured cable

Cable with insulated conductors, with no layer of mechanical (metallic) protection.



Certifications

EN 62444

Continuous operating temperature

-5 °C to +70 °C

Material

Nickel-plated brass

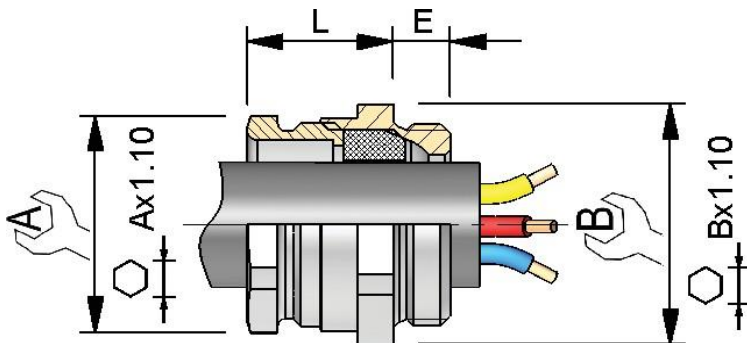
Pg electrical threadforms

UTE C 68-311 – DIN 40430

Perfectly adapted to industrial environments

Provided with a PVC sealing ring

Dimensions



Our range of nickel plated brass, industrial cable glands NORMADIX allows the connection of non armoured-cables.

Provided with Pg threads, this range offers a very compact design which makes NORMADIX a very cost effective solution in industrial applications where space saving is a must.

The cable glands accommodates a thermoplastic elastomer sealing ring which achieves both an IP66 tightness on the outer sheath of the cable and a perfect tensile strength. In addition, the colour of the sealing ring is different according to the size of the cable gland which allows a quick and easy identification.

Ordering codes

Size	Thread Size (Pg)	Cable Diameter Min - Max	Cable Dimensions				Order Unit	Cable Gland	Catalog Number			Order Unit	Cable Gland + Locknut
			A	B	L	E			Sealing Washer	Locknut			
4	Pg7	3.5 - 6.0	13.0	14.0	9.5	3.9	20	CAP600704	CAP240749	CAP280704	5	CAP600774	
5	Pg 9	5.0 - 8.7	16.0	17.0	11.5	4.8	20	CAP600904	CAP240949	CAP280904	5	CAP600974	
6	Pg11	6.5 - 10.5	17.0	20.0	12.5	5.7	20	CAP601104	CAP241149	CAP281104	5	CAP601174	
7	Pg13	8.5 - 13.5	20.0	22.0	12.0	5.6	20	CAP601304	CAP241349	CAP281304	5	CAP601374	
8	Pg16	10.5 - 15.0	22.0	24.0	15.0	5.6	20	CAP601604	CAP241649	CAP281604	5	CAP601674	
9	Pg21	13.5 - 19.0	28.0	30.0	15.5	6.8	20	CAP602104	CAP242149	CAP282104	5	CAP602174	
10	Pg29	18.0 - 25.0	37.0	40.0	17.0	7.7	10	CAP602904	CAP242949	CAP282904	3	CAP602974	
11	Pg36	23.5 - 32.0	47.0	50.0	19.0	7.8	10	CAP603604	CAP243649	CAP283604	1	CAP603674	
12	Pg42	30.0 - 38.0	54.0	58.0	19.0	9.5	1	CAP604204	CAP244249	CAP284204	1	CAP604274	
13	Pg48 DIN	34.0 - 42.5	60.0	64.0	20.0	9.5	1	CAP604884	CAP244849	CAP284884	1	CAP604874	
13	N°48 NFC	34.0 - 42.5	60.0	64.0	20.0	9.5	1	CAP604804	CAP244849	CAP284804	-	-	

Long thread cable glands

Size	Thread Size (Pg)	Cable Diameter Min - Max	A	B	L	E	Cable Gland	Sealing Washer	Locknut
4	Pg7	3.5 - 6.0	13.0	14.0	9.5	-	-	CAP240749	CAP280704
5	Pg 9	5.0 - 8.7	16.0	17.0	11.5	15.0	CAP610904	CAP240949	CAP280904
6	Pg11	6.5 - 10.5	17.0	20.0	12.5	15.0	CAP611104	CAP241149	CAP281104
7	Pg13	8.5 - 13.5	20.0	22.0	12.0	15.0	CAP611304	CAP241349	CAP281304
8	Pg16	10.5 - 15.0	22.0	24.0	15.0	15.0	CAP611604	CAP241649	CAP281604
9	Pg21	13.5 - 19.0	28.0	30.0	15.5	15.0	CAP612104	CAP242149	CAP282104
10	Pg29	18.0 - 25.0	37.0	40.0	17.0	15.0	CAP612904	CAP242949	CAP282904
11	Pg36	23.5 - 32.0	47.0	50.0	19.0	15.0	CAP613604	CAP243649	CAP283604
12	Pg42	30.0 - 38.0	54.0	58.0	19.0	15.0	CAP614204	CAP244249	CAP284204
13	Pg48 DIN	34.0 - 42.5	60.0	64.0	20.0	15.0	CAP614884	CAP244849	CAP284884
13	N°48 NFC	34.0 - 42.5	60.0	64.0	20.0	15.0	CAP614804	CAP244849	CAP284804

PVC reducing ring for cable glands

Gland Size	Pg	Pg	Cable Diameter Min - Max	Order Unit	Catalog Number
5	Pg9	Pg7	3.5 - 6.5	100	CAP240735
6	Pg11	Pg9	5.5 - 8.7	100	CAP240935
7	Pg13	Pg9	5.5 - 8.7	100	CAP241235
7	Pg13	Pg11	7.0 - 10.5	100	CAP241135
8	Pg16	Pg9	5.5 - 8.7	100	CAP241535
8	Pg16	Pg11	7.0 - 10.5	100	CAP241435
9	Pg16	Pg13	8.0 - 12.5	100	CAP241335
9	Pg21	Pg16	10.0 - 15.0	100	CAP241635
10	Pg29	Pg21	14.0 - 19.0	50	CAP242135
11	Pg36	Pg29	17.5 - 22.5	10	CAP242935
12	Pg42	Pg36	22.0 - 32.5	20	CAP242635
13	N°48 NFC	Pg36	22.0 - 32.5	20	CAP244735

